



MODELO / MODEL

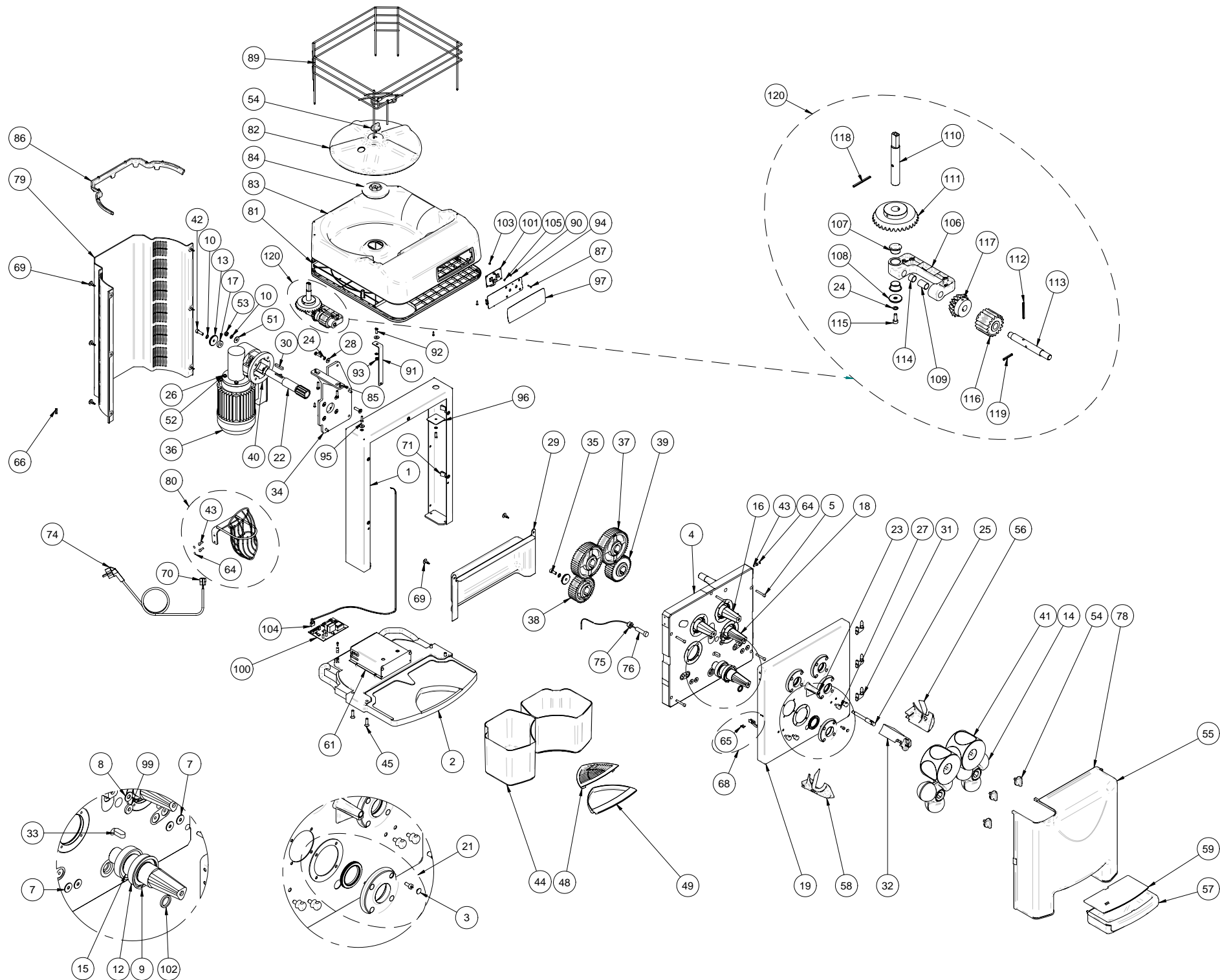
ZUMEX VERSATILE 115V

Nr. Desde/from 339792 hasta/to

Rev 1.0

INDICE / INDEX

Vista explosionada/Exploded view.....	Pag 2
Lista de piezas/ Part list.....	Pag 3
Esquema electrónico/Electronic diagram	Pag 7



ZUMEX VERSATILE 115V H ON/OFF

Los números entre parentesis se refieren modelos de máquinas, ver final de lista

Numbers between brackets refer to models of the machines, see end of list.

18/09/2007

NÚMERO DE PIEZA PART NUMBER	REFERENCIA REFERENCE	COMPUESTO POR COMPOSED BY	DESCRIPCIÓN	DESCRIPTION	CANTIDAD POR MÁQUINA QUANTITY PER MACHINE	LOTE DISTRIBUCION DISTRIBUTION LOT
1	200.0262.005		CHASIS ZVER/ESS	CHASSIS, Z-VER/ESS	1	1
2	33.0036.000		BASE MÁQUINAGRAFITO ESS/VER	ESS/VER GRAPHITE MACHINE BASE	1	1
	200.3361.004		BASE ESS/VER AMARILLA (1)	YELLOW ESS/VER BASE(1)	1	1
	33.0036.100		BASE VERSATILE PODIUM	VERSATILE PODIUM BASE	1	1
	200.3367.004		BASE VERS. PODIUM AMARILLA (5)	YELLOW VERS. PODIUM BASE (5)	1	1
3	200.3364.000		TAPON SOPORTE RETEN	FASTENER SUPPORT CAP	16	1
4	13.494.001		CONJUNTO CARTER ZVER/ESS PINTADO	Z-VER/ESS PAINTED 16T GEARBOX	1	1
5	100.0903.111		TORNILLO DIN 912 M6 X 40 INOX	DIN 912 M-6x40 I SCREW	5	1
7	171.1806.000		JUNTA SILICONA 18,5 X 6 X 1,5	SILC. JOINT 18,5 X 6 X 1,5	4	1
8	171.1808.000		JUNTA SILICONA 18,5 X 8 X 1,5	SILC. JOINT 18,5 X 8 X 1,5	1	1
9	33.0015.000		KIT ANILLO SEG. DIN 472 I-62	SECURITY RING KIT	2	70
		4 Ud / 130.0013.062	ANILLO DE SEGURIDAD DIN 472 I-62	SECURITY RING		
10	105.0911.008		ARANDELA DIN 127 D8 INOX	DIN 127 D8 I WASHER	9	1
12	33.0011.000		KIT RODAMIENTOS 6007	6007 2RS BEARINGS KIT	4	16
		2 Ud / 140.0201.035	RODAMIENTO 6007 2RS	6007 2RS BEARINGS		
13	200.1110.001		ARANDELA PIÑON	PINION WASHER	5	1
14	33.0031.000		TAMBOR MACHO PLÁSTICO	LOWER PLASTIC PRESSING UNIT	1	2
15	33.0025.000		KIT SEPARADOR RODAMIENTOS INT	INTERNAL BEARINGS SEPARATOR KIT	1	10
		4 Ud / 200.1101.001	SEPARADOR INTERIOR	INTERNAL BEARINGS SEPARATOR		
16	210.1001.000		EJE TAMBOR HEMBRA METALICO	SS UPPER PRESSING SHAFT	2	1
17	200.1126.001		SUPLEMENTO SITI 25X9X7	25x9x7 SUPPLEMENT SHAFT SITI	1	1
18	210.1000.000		EJE TAMBOR MACHO METALICO	SS LOWER PRESSING SHAFT	2	1
19	220.0240.101		TAPA FRONTAL INOX.	STAINLESS STEEL FRONT	1	1
21	33.0010.000		KIT RETEN C/TORNILLOS V2.0	FASTENER W/SCREWS V2.0 KIT	4	48
		1 Ud / 200.3363.100	SOPORTE RETEN	FASTENER SUPPORT		
		1 Ud / 171.3001.000	JUNTA SOPORTE RETEN	FASTENER SUPPORT JOINT		
		4 Ud / 200.3364.000	TAPON SOPORTE RETEN	FASTENER SUPPORT CAP		
		4 Ud / 100.0903.085	TORNILLO DIN 912 M5 X 12	DIN 912 M5 X 12 I SCREW		
		1 Ud / 170.0001.002	RETEN MUELLE INOX 40 X 52 X 7 DL	INOX SPRING FAST 40 X 52 X 7 DL		
22	250.1103.001		EJE REDUCTOR Z-12	Z-12 REDUCER SHAFT	1	1
23	225.3305.000		TRASERA PORTACUCHILLAS	BACK BLADE SUPPORT	1	1
24	105.0911.006		ARANDELA DIN 127 D6 I.	DIN 127 D6 I WASHER	4	1
25	200.0142.000		VARILLA PORTACUCHILLA	BLADE SUPPORT ROD	1	1

26	100.0904.108		TORNILLO DIN 933 M6X25 I	DIN 933 M-6x25 I SCREW	8	1
27	33.0006.000		KIT SOPORTES PIVOTES CUÑAS EXT	PEEL EJECTORS PIVOT HOLDERS KIT	2	25
		2 Ud / 225.3320.000	SOPORTE CUÑA EXTRACTORA	PEEL EJECTORS PIVOT HOLDERS		
28	105.0916.006		ARANDELA DIN9021 D6 I	DIN 9021 D6 I WASHER	4	1
28	33.0082.000		FORRO CORTEZAS	v2.1 INJ. PEEL BUCKETS LINING	1	1
30	115.0000.036		CHAVETA 8X7X40	KEY 8 x 7 x 40	1	1
31	120.0002.002		BISAGRA INYECCIÓN	PLASTIC INYECCION HINGE	3	1
32	33.0013.000		PORTACUCHILLAS V. 2.1	BLADE HOLDER V 2.1	1	10
33	115.0000.015		CHAVETA 10X8X25	BOLT 10 x 8 x 25	4	1
34	200.2365.001		BRIDA INTERMEDIA ZESS-VER	INTERMEDIATE CLAMP Z-VER/ESS	1	1
35	100.0903.127		TORNILLO DIN 912 M8 X 20 INOX	DIN 912 M-8X20 I SCREW	4	1
36	160.0113.600		MOTOR 0,5 CV 120 V 60HZ B-14 UL	0.5HP 120V 60HZ B-14 MOTOR	1	1
37	210.3301.001		PIÑÓN GRANDE PLASTICO	BIG PLASTIC GEAR	2	1
38	210.3302.001		PIÑÓN PEQUEÑO PLASTICO	SMALL PLASTIC GEAR	1	1
39	210.1106.001		PIÑÓN PEQUEÑO METALICO	SMALL METALLIC GEAR	1	1
40	160.0211.049		REDUCTOR 1:60	MVF 49F REL.1:60 REDUCER	1	1
41	33.0024.000		KIT TAMBOR HEMBRA	UPPER PRESSING UNIT KIT	1	1
		2 Ud / 225.3307.001	TAMBOR HEMBRA PLASTICO	UPPER PLASTIC PRESSING UNIT		
42	100.0903.128		TORNILLO DIN 912 M8 X 25 INOX	DIN 912 M-8x25 I. SCREW	1	1
43	100.0903.086		TORNILLO DIN 912 M5 X 15 INOX	DIN 912 M-5x15 I. SCREW	3	1
43	33.0017.000		DEPOSITO CORTEZAS ESS/VER AMARILLO(2)	YELLOW ESS/VER PEEL BUCKET (2)	2	1
	33.0017.100		DEPOSITO CORTEZAS ESS/VER NARANJA(1)	ORANGE ESS/VER PELL BUCKET (1)	2	1
	33.0017.200		DEPOSITO CORTEZAS ZX00 T-GRP (3)	ZX00 PELL BUCKET SILVER (3)	2	1
	33.0017.050		DEPOSITO CORTEZAS BA ESS/VER AMARILLO(5)	YELLOW ESS/VER PEEL BUCKET (5)	2	1
	33.0017.150		DEPOSITO CORTEZAS BA ESS/VER NARANJA(4)	ORANGE ESS/VER PELL BUCKET (4)	2	1
	33.0017.250		DEPOSITO CORTEZAS BA ZX00 T-GRP (6)	ZX00 PELL BUCKET SILVER (6)	2	1
45	100.0909.129		TORNILLO DIN 7991 M-8X30 I	DIN 7991 M-8x30 I SCREW	8	1
45	33.0080.000		FILTRO BANDEJA POSAVASOS PLATA	SILVER TRAY FILTER	1	1
	33.0081.000		BANDEJA POSAVASOS	ESS/VER DRAIN TRAY	1	1
51	105.0916.008		ARANDELA DIN 9021 M8 INOX	DIN 9021 D8 I WASHER	4	1
52	105.0910.006		ARANDELA DIN 125 M6 FORMA A	DIN 125 D6 I WASHER	4	1
53	100.1901.008		TUERCA DIN 934 M8 INOX	DIN 934 M-8 I. NUT	4	1
54	33.0003.001		KIT VOLANTES EXPRIMI TPE	TPE SECURING KNOBS KIT	2	25
		2 Ud / 200.3306.004	VOLANTE PLASTICO INYECCION	SECURING KNOBS		
55	33.0045.001		CUBIERTA ZUMEX PLATA VER/ESS	ZUMEX ESS / VER SILVER COVER	1	1
56	33.0001.000		CUÑA EXTRACTORA DERECHA	RIGHT PEEL EJECTOR (PIVOTS)	1	48
57	33.0023.001		CUBETA ZUMO FUME Z-VER/ESS	ZVER/ESS FILTER HOLDER	1	1
58	33.0002.000		CUÑA EXTRACTORA IZQUIERDA	LEFT PEEL EJECTOR (PIVOTS)	1	48
59	33.0014.000		FILTRO CUBETA Z VER/ESS	ZVER/ESS FILTER	1	40
61	13.651.000		CAJA CIRCUITO	ELECTRONIC MODULE BOX	1	1
64	120.0019.000		TAPON ALLEN M5 NEGRO	ALLEN M-5 CAP BLACK	3	1
65	100.0935.043		TORNILLO DIN 7985 M3X8 I	DIN 7985 M-3X8I SCREW	2	1

66	220.4901.000		PASAMUROS TAPA TRASERA	REAR COVER SINGLE BUSHING	1	1
68	33.0028.000		CIERRE CUBIERTA ZVER/ESS C/TOR KIT	ZVER/ESS COVER LOCK WITH SCREW KIT	1	120
		1 Ud / 120.0004.001	CIERRE 97-30-160-12	LOCK 97-30-160-12		
		2 Ud / 100.0935.043	TORNILLO DIN 7985 M3 X 8 I	DIN 7985 M3 X 8 I SCREW		
69	100.2000.000		TORNILLO ESPECIAL HEYCO 07441	HEYCO SPECIAL SCREW 0744151	6	1
70	155.0004.009		CAJA CONECTORA 3 VIAS PORTAHEMBRA	3 WAYS FEMALE CONECTOR	2	1
71	155.0028.002		SUJETACABLES AUTOADHESIVO	FLAT CABLE CLIP FC-15-0	2	1
74	155.0002.001		CAB AL UL SJT3X16AWG NEMA5-15P	P.CORD UL3X16AW6 PLUGNEMA5-15P	1	1
75	100.1601.012		TUERCA DIN 934 M12 NYLON	DIN 934 M-12 NYLON NUT	1	1
76	155.0054.000		DETECTOR MAGNETICO L=600 MM	MAGNETIC DETECTOR L=600 mm.	1	1
78	220.4709.003		PERFIL CUBIERTA CON FILETES	COVER SILICONE STRIP	1,5 m	1
	33.0079.100		TAPA TRASERA VERSATILE GRAFITO	VERSATILE ESSENTIAL REAR COVER	1	1
80	33.0040.000		KIT CODO ALIMENTADOR Z-VER	Z-VER FEEDER TUBE KIT	1	1
		1 Ud / 225.0914.002	CODO ALIMENTADOR Z-VER	FEEDER TUBE Z-VER		
		2 Ud / 100.0903.086	TORNILLO DIN 912 M5 X 16 I	DIN 912 M-5x16 I SCREW		
		2 Ud / 120.0019.000	TAPON ALLEN M5 NEGRO	ALLEN M-5 CAP BLACK		
81	33.0077.000		CJTO. BASE ALIMENTADOR INY (1) (4)	FEEDER BASE SET (1) (4)	1	1
82	33.0030.000		KIT PLATO+BASE HEXAGONAL ZVER (1) (4)	ZVER PLATE+HEXAGONAL BASE KIT (1) (4)	1	1
		1 Ud / 200.3464.002	PLATO ALIMENTADOR Z-VER INY	FEEDER PLATE Z-VER INY		
		1 Ud / 215.3318.003	BASE DE PLATO Z-VER	PLATE BASE Z-VER		
72	33.0078.000		CPO. ALIMENTADOR AMARILLO (2)	YELLOW BASKET HOLDER (2)	1	1
	33.0078.100		CPO. ALIMENTADOR INY NARANJA(1) (4)	ORANGE BASKET HOLDER (1) (4)	1	1
	33.0078.200		CPO. ALIMENTADOR INY SILVER (3) (6)	SILVER BASKET HOLDER (3) (6)	1	1
84	215.3318.003		BASE DE PLATO Z-VER/ESS	Z-VER/ESS PLATE BASE	1	1
85	135.0017.067		PAS/ELAST.DIN 1481 D4x20	DIN 1481 D4X20 ELASTIC FAST.	2	1
86	33.0076.000		PESTAÑA SUP. TAPA VERSATILE	VERSATILE COVER UPPER FLANGE	1	1
87	100.0909.046		TORNILLO DIN 7991 M-3x16 I	DIN 7991 M-3X16 I SCREW	4	1
89	260.0928.004		CESTA ALIMENTADOR Z-VER v.3.0	Z-VER FEEDER BASKET V3.0	1	1
90	180.0006.000		CASQUILLO SEPARADOR 6x3,1x9	BUSHING SEPARATOR 6x3, 1x9	4	1
91	200.7271.002		TIRANTE	TENSION MEMBER, ROD	1	1
92	100.0905.107		TORNILLO DIN 963 M-6x20 I.	DIN 963 M-6x20 I. SCREW	1	1
93	100.1801.006		TUERCA DIN 934 M-6 Z	DIN 934 M-6 Z NUT	1	1
94	215.3322.000		TAPA SOPORTE BOTONERA Z VER	COVER SUPPORT KEYBOARD Z VER	1	1
95	100.0903.107		TORNILLO DIN 912 M-6x20 I	DIN 912 M-6x20 I SCREW	2	1
96	200.0276.001		ARANDELA CUADRADA	SQUARED WASHER	1	1
97	235.3062.001		CARATULA ZVER v 2.1	v.2.1 DISPLAY Z-VER (ON/OFF)	1	1
99	171.1807.000		JUNT ESP SILIC.MFS 18,5x7x3,5	SILIC.MFS JOINT 18,5x7x3,5	1	1
100	33.0044.000		MODULO ELECTRONI 115 V ON/OFF	115V ON/OFF ELECTR. MODULE	1	5
101	33.0074.000		MOD BOTONERA ON/OFF UL V1.1	ON/OFF KEYBOARD MODULE UL	1	1
102	171.2418.000		JUNT.SILIC.MFS 24,5x18,5x3,5	SILIC.MFS JOINT 24,5x18,5x3,5	1	1
103	100.1908.003		TUERCA DIN 985 M-3 I.	DIN 985 M-3 I. NUT	4	1
104	13.362.001		BUS PULSADOR MECANICO	MECHANICAL SWITCH BUS	1	1

105	215.3324.001		ALMOHADILLA PULSADOR 5x 5x0,3	PUSHER CUSHION 5x5x0.3	2	1
106	13.225.000		BASTIDOR REENVIO ANGULO RECTO	GEARBOX RIGHT ANGLE CHASSIS	1	1
107	140.0007.018		CASQUILLO PAF 18120 P10	BUSHING PAF 18120 P10	2	1
108	200.0277.001		ARANDELA REENVIO	GEARBOX WASHER	1	1
109	140.0002.012		PAP1220 P10	PAP1220 P10	1	1
110	250.1119.003		EJE BASE PLATO Z VER v.2.1 CUA	PLATE BASE SHAFT	1	1
111	190.1201.002		PIÑÓN CONICO Z=32	Z=32 CONICAL PINION	1	1
112	135.0017.193		PAS/ELAST.DIN 1481 D4x40	DIN 1481 D4x40 ELASTIC FAST.	1	1
113	250.1117.001		EJE REENVIO ANGULAR	GEAR BOX SHAFT	1	1
114	140.0001.012		PAP1210 P10	PAP1210 P10	1	1
115	100.0903.106		TORNILLO DIN 912 M-6x16 I.	DIN 912 M-6x16 I. SCREW	1	1
116	210.3107.001		ENGRANAJE CILINDRI.R/ANGULA	CILINDRICAL GEAR BOX	1	1
117	190.1201.001		PIÑÓN CONICO Z=16	Z=16 CONICAL PINION	1	1
118	135.0017.215		PAS/ELAST.DIN 1481 D4x50	DIN 1481 D4x50 ELASTIC FAST.	1	1
119	135.0017.127		PAS/ELAST.DIN 1481 D4x26	DIN 1481 D4x26 ELASTIC FAST.	1	1
120	23.229.100		G.REENVIO ANGULAR AL/INY	ZVER FEEDER GEARING SET	1	1

(1) ZUMEX VERSATILE 115 V

(2) ZUMEX VERSATILE 115 V AMARILLA / YELLOW (Solo para modelos antiguos, hasta agotar stock)(ONLY FOR OLD MODELS keeping a stock until it goes to zero)

(3) ZUMEX VERSATILE 115 V GRIS PLATA / SILVER GRAY

(4) ZUMEX VERSATILE 115 V BA

(5) ZUMEX VERSATILE 115 V AMARILLA BA / YELLOW BA (Solo para modelos antiguos, hasta agotar stock)(ONLY FOR OLD MODELS keeping a stock until it goes to zero)

(6) ZUMEX VERSATILE 115 V BA GRIS PLATA / BA SILVER GRAY

(7) ZUMEX VERSATILE 115 V MODELOS GB / GB MODELS

(8) ZUMEX VERSATILE 115 V MODELOS AR / AR MODELS

ESQUEMA ELECTRONICO Z VERSATILE ON-OFF
Z VERSATILE ON-OFF ELECTRONIC DIAGRAM

