



Catalogo ricambi per *Spare parts catalogue for* **LA UNO**

REV. 00-118-03-01UK

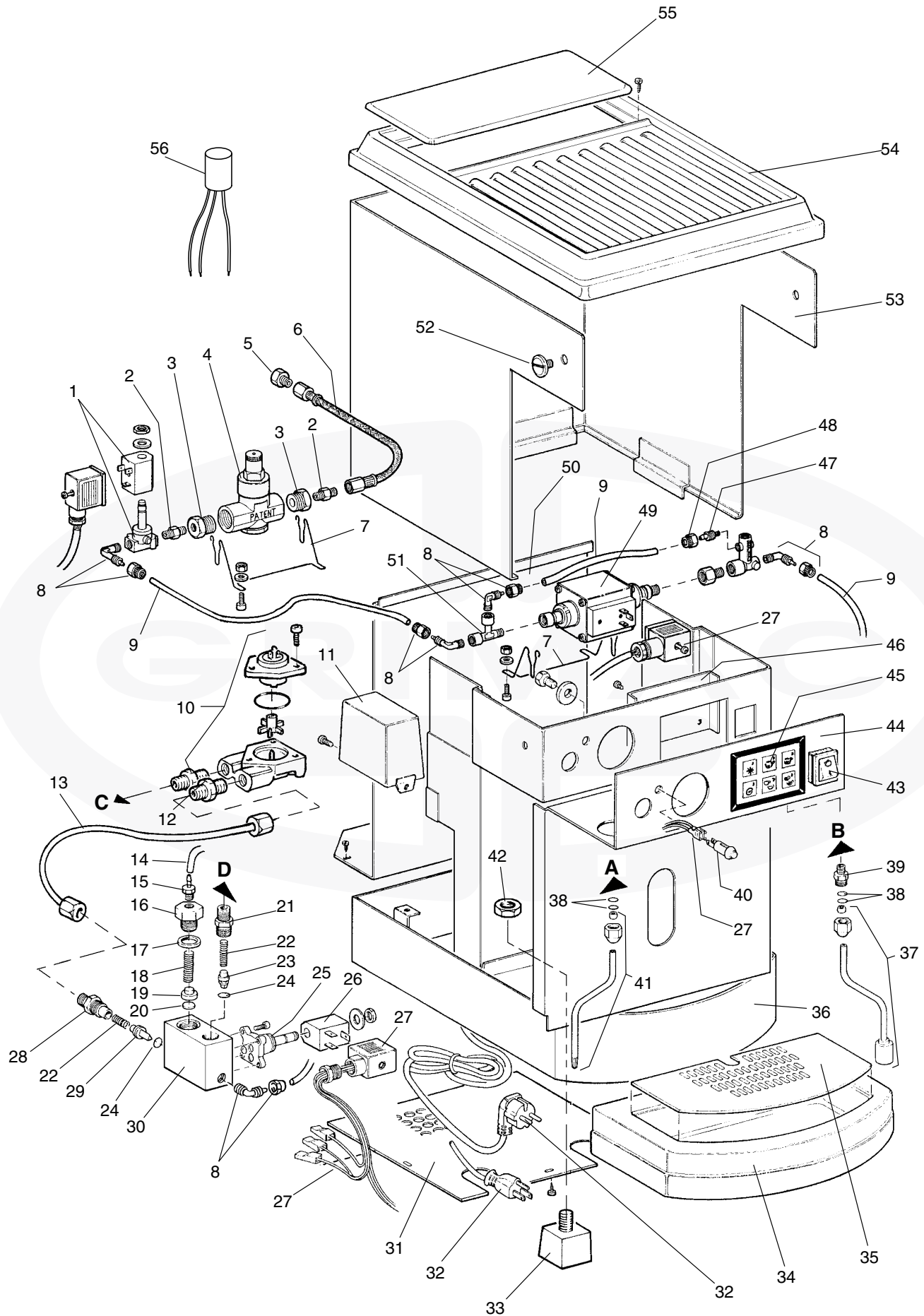


Uffici e stabilimento / Office and factory:

ZOLA PREDOSA (Bo) Italy - Via Morazzo, 2 Tel. 051-75.56.68 (4 linee r.a.) - Fax 051-75.59.48

E-mail: info@grimac.net

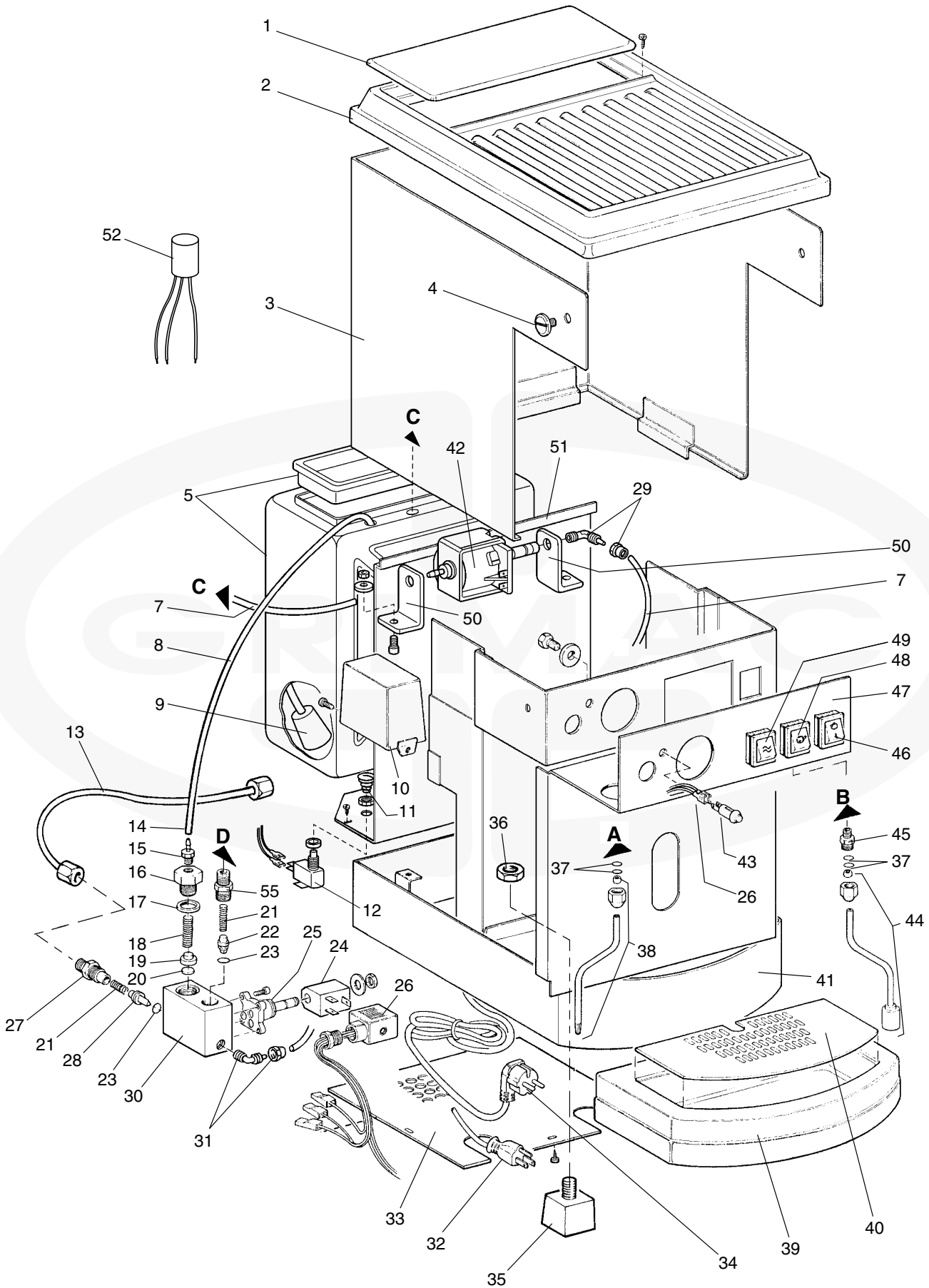
web site: www.grimac.it



POS.	CODE	DESCRIPTION	PRICE (lire it.)
1	V190 MG006	230V SOLENOID VALVE 115V SOLENOID VALVE	
2	MG137	1/8 - 1/8 M UNION TEE	
3	MG156	1/2 - 1/8 M-F ADAPTER	
4	V130	PRESSURE REDUCER	
5	MG186	3/8-1/8 M-F ADAPTER	
6	C334	1/8 F-F STAINLESS FLEX TUBE	
7	MG046	WIRE SUPPORT	
8	MG276	1/8" Ø6 NOSEPIECE ELBOW UNION	
9	MG204	TEFLON PIPE Ø 6x4 (per meter)	
10	V243	DOSING FAN	
11	MG282 MG283	230V ELECTRONIC DOSING 115V ELECTRONIC DOSING	
12	MG136	1/4 - 1/4 M NIPPLES	
13	MG109	Ø 6 COPPER EXCHANGER PIPE	
14	MG155	SILICONE PIPE Ø 4x7 (per meter)	
15	MG163	1/8 Ø 6 RUBBER BUFFER HOLDER	
16	MG103	1/2" UNION EXPANSION VALVE	
17	VBM021	TEFLON DRAIN GASKET	
18	F098	DRAIN SPRING	
19	FS217	EXPANSION VALVE GASKET HOLDER	
20	F027	CHECK VALVE GASKET	
21	MG102	SELF-ADJUSTING LEVEL NIPPLES	
22	FS214	CHECK VALVE SPRING	
23	MG195	SELF-ADJUSTING LEVEL CHECK VALVE	
24	F067	10017 VYTON O-RING	
25	MG007	LEVEL SOLENOID VALVE BODY	
26	G131 G356UL	230V COIL 115V COIL	
27	MG096 E MG097E	ELE WIRING CE COMPLIANT WATER MAINS/RESERVOIR ELE WIRING USA COMPLIANT WATER MAINS/RESERVOIR	

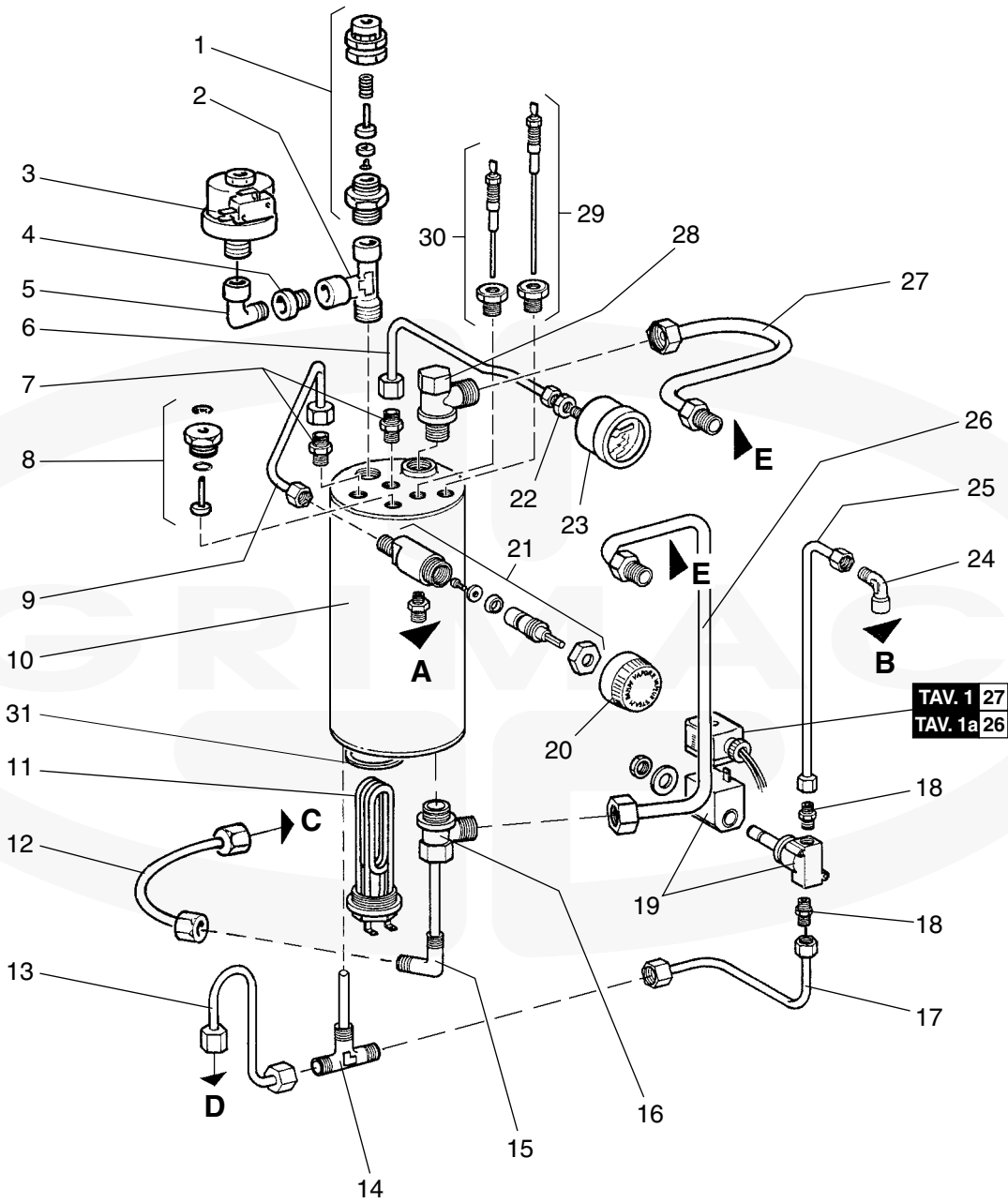
POS.	CODE	DESCRIPTION	PRICE (lire it.)
28	MG101	INTAKE WATER NIPPLE	
29	F149	CHECK VALVE	
30	MG100	MINI GRIMAC BRASS DISTRIBUTOR	
31	MG194	MINI GRIMAC PROTECTION GRID	
32	GG3060 GG3065	SUPPLY CABLE CE SUPPLY CABLE UL-ETL	
33	F602	ADJUSTABLE FOOT	
34	MG092 MG360	WATER TRAY STAINLESS STEEL DRAIN BASIN (1998 VERS.)	
35	MG090 MG361	WATER TRAY GRID TRAY GRID	
36	MG089 MG089	PAINTED FRAME PAINTED FRAME (1998 VERS.)	
37	MG115	CHROMIUM-PLATED HOT WATER PIPE	
38	F024	5.7x1.9 O-RING	
39	MG158B	WATER PIPE FITTING NIPPLES	
40	MG077	115/230V FIXED PILOT LAMP	
41	MG037/1	CHROMIUM-PLATED STEAM PIPE	
42	MG049	FOOT SECURING NUT	
43	W491	I/O SWITCH	
44	MG162E MG162E	STAINLESS ELECTRONICS PANEL STAINLESS ELECTRONICS PANEL (1998 VERS.)	
45	MG278	230/115V ELECTRONICS MEMBRANE	
46	MG299	CARD STEEL REAR DETENT	
47	MG167/1	PUMP BYPASS NIPPLES	
48	MG167/2	1/8 RING NUT	
49	MG044 MG044/1 MG071 MG072	VIBRATION PUMP 230V MAINS MOD. VIBRATION PUMP 115V MAINS MOD. VIBRATION PUMP 230V RESERVOIR MOD. VIBRATION PUMP 115V RESERVOIR MOD.	
50	MG091	SEPARATING PANEL	
51	MG133	1/8 F-F-M UNION TEE	
52	W430	SIDE SECURING SCREW	

POS.	CODE	DESCRIPTION	PRICE (lire it.)
53	MG052a	STAINLESS STEEL BODY	
	MG052r	RED PAINTED BODY	
	MG052n	BLACK PAINTED BODY	
	MG052b	WHITE PAINTED BODY	
	MG052a	STAINLESS STEEL BODY (1998 VERS.)	
	MG052r	RED PAINTED BODY (1998 VERS.)	
	MG052n	BLACK PAINTED BODY (1998 VERS.)	
	MG052b	WHITE PAINTED BODY (1998 VERS.)	
54	MG093	UPPER COVER	
	MG362	STAINLESS STEEL COVER (1998 VERS.)	
	MG363	STAINLESS UPPER GRID (1998 VERS.)	
55	MG098	SMALL UPPER COVER	
	MG364	STAINLESS SMALL COVER (1998 VERS.)	
56	MG308	FILTER	

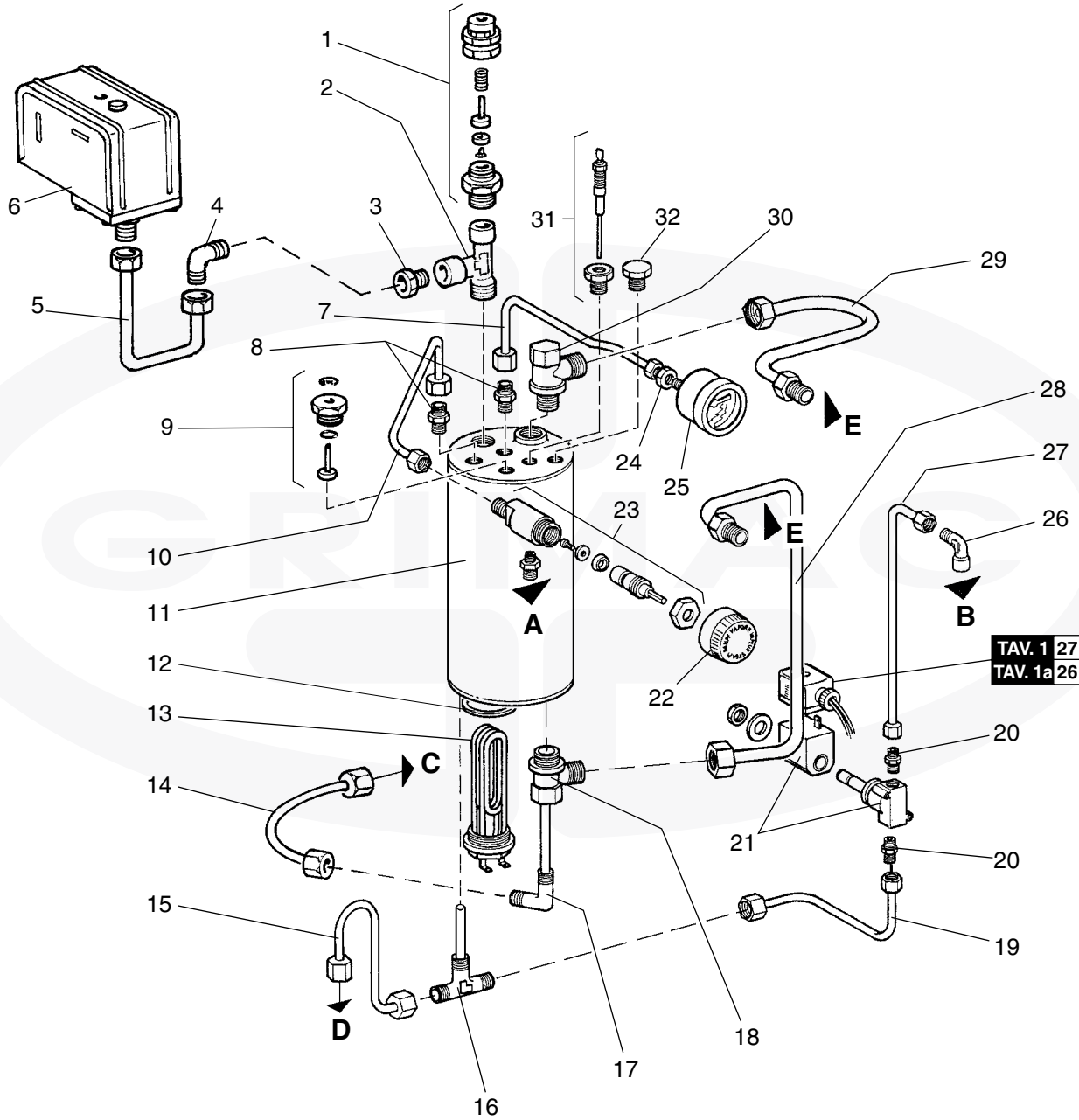


POS.	CODE	DESCRIPTION	PRICE (lire it.)
1	MG098 MG364	SMALL UPPER COVER STAINLESS STEEL SMALL COVER (1998 VERS.)	
2	MG093 MG362 MG363	UPPER COVER STAINLESS STEEL COVER (1998 VERS.) STAINLESS STEEL UPPER GRID (1998 VERS.)	
3	MG052a MG052r MG052n MG052b MG052a MG052r MG052n MG052b	STAINLESS STEEL BODY RED PAINTED BODY BLACK PAINTED BODY WHITE PAINTED BODY STAINLESS STEEL BODY (1998 VERS.) RED PAINTED BODY (1998 VERS.) BLACK PAINTED BODY (1998 VERS.) WHITE PAINTED BODY (1998 VERS.)	
4	W430	SIDE SECURING SCREW	
5	MG018/1	MINI GRIMAC 5 L. TANK	
7	MG204	Ø 6x4 TEFLON PIPE (per meter)	
8	MG155	Ø 4x7 SILICONE PIPE (per meter)	
9	MG180/1	WATER SOFTENER	
10	MG307 Z127UL	230V 2-PROBE LEVEL REGULATOR 115V LEVEL REGULATOR	
11	MG025/2	SPRING FOR MICROSWITCH	
12	MG025/1	MICROSWITCH	
13	MG109	Ø 6 COPPER EXCHANGER PIPE	
14	MG155	Ø 4x7 SILICONE PIPE (per meter)	
15	MG163	1/8 Ø 6 RUBBER BUFFER HOLDER	
16	MG103	1/2" UNION EXPANSION VALVE	
17	VBM021	TEFLON DRAIN GASKET	
18	F098	DRAIN SPRING	
19	FS217	EXPANSION VALVE GASKET HOLDER	
20	F027	CHECK VALVE GASKET	
21	FS214	CHECK VALVE SPRING	
22	MG195	SELF ADJUSTING LEVEL CHECK VALVE	
23	F067	10017 VYTON O-RING	
24	G131 G356UL	230V COIL 115V COIL	
25	MG007	LEVEL SOLENOID VALVE BODY	
26	MG096 MG097UL	PUL WIRING CE COMPLIANT WATER MAINS/RESERVOIR PUL WIRING USA COMPLIANT WATER MAINS/RESERVOIR	

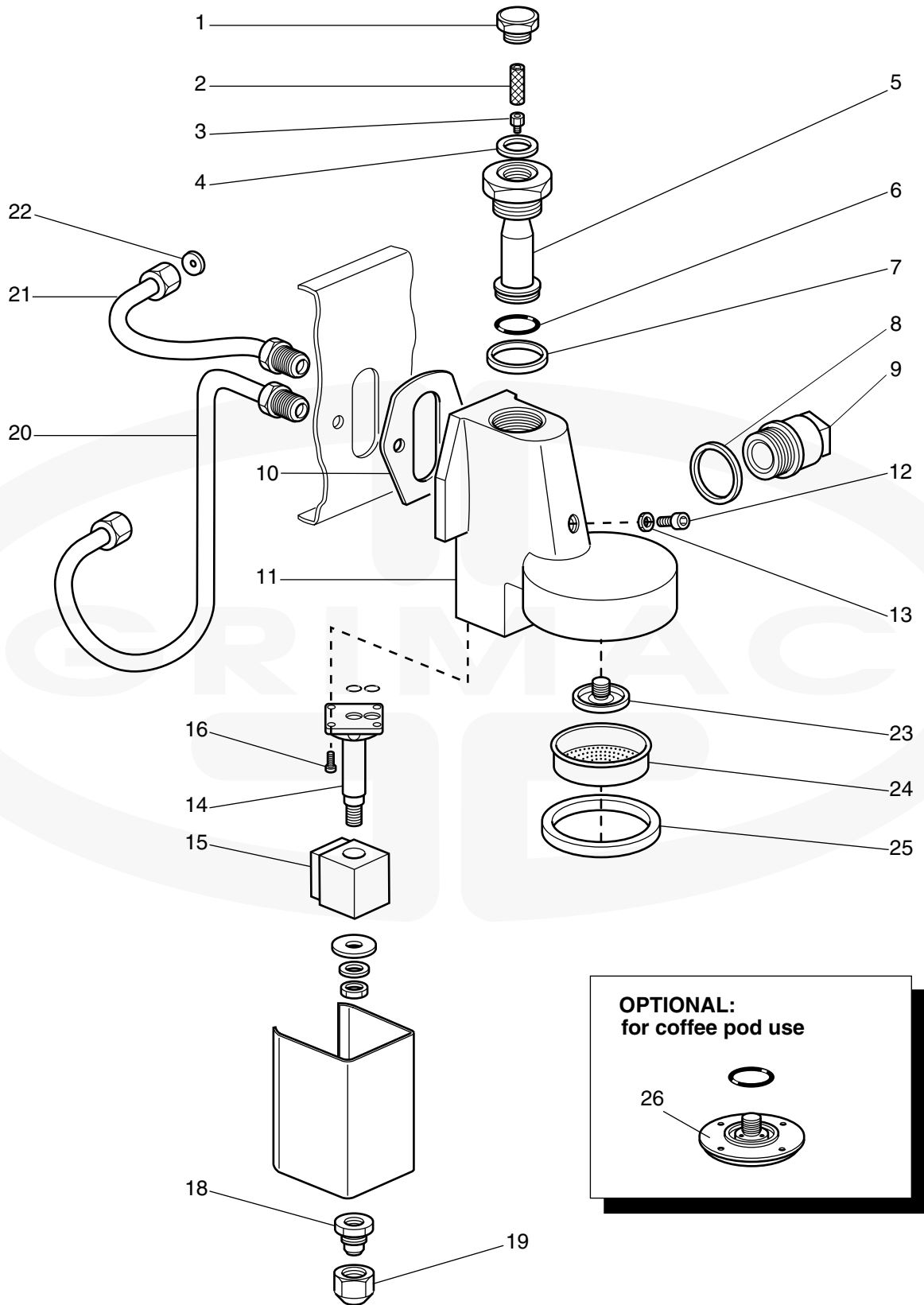
POS.	CODE	DESCRIPTION	PRICE (lire it.)
27	MG101	INTAKE WATER NIPPLE FOR MINI GRIMAC	
28	F149	CHECK VALVE	
29	MG276	1/8" Ø 6 NOSEPIECE ELBOW UNION	
30	MG100	MINI GRIMAC BRASS DISTRIBUTOR	
31	MG276	1/8" Ø 6 NOSEPIECE ELBOW UNION	
32	GG3065	SUPPLY CABLE UL-ETL	
33	MG194	MINI GRIMAC PROTECTION GRID	
34	GG3060	SUPPLY CABLE CE	
35	F602	ADJUSTABLE FOOT	
36	MG049	FOOT SECURING NUT	
37	F024	Ø 5.7x1.9 O-RING	
38	MG037/1	CHROMIUM-PLATED STEAM PIPE	
39	MG092 MG360	WATER TRAY DRAIN BAGIN (1998 VERS.)	
40	MG090 MG361	WATER TRAY GRID TRAY GRID	
41	MG089 MG089	PAINTED FRAME PAINTED FRAME (1998 VERS.)	
42	MG044 MG044/1 MG071 MG072	VIBRATION PUMP 230V MAINS MOD. VIBRATION PUMP 115V MAINS MOD. VIBRATION PUMP 230V RESERVOIR MOD VIBRATION PUMP 115V RESERVOIR MOD	
43	MG077	115/230V FIXED PILOT LAMP	
44	MG115	CHROMIUM-PLATED HOT WATER PIPE	
45	MG158B	WATER PIPE FITTING NIPPLES	
46	W491	I/O SWITCH	
47	MG162 MG162	STAINLESS BUTTON PANEL STAINLESS BUTTON PANEL (1998 VERS.)	
48	MG073	RED LIGHT SWITCH	
49	MG074/2	TWO POLE RED PUSH BUTTON	
50	MG225	VIBRATION-DAMPING ANGLE PLATE	
51	MG091	SEPARATING PANEL	
52	MG308	FILTER	



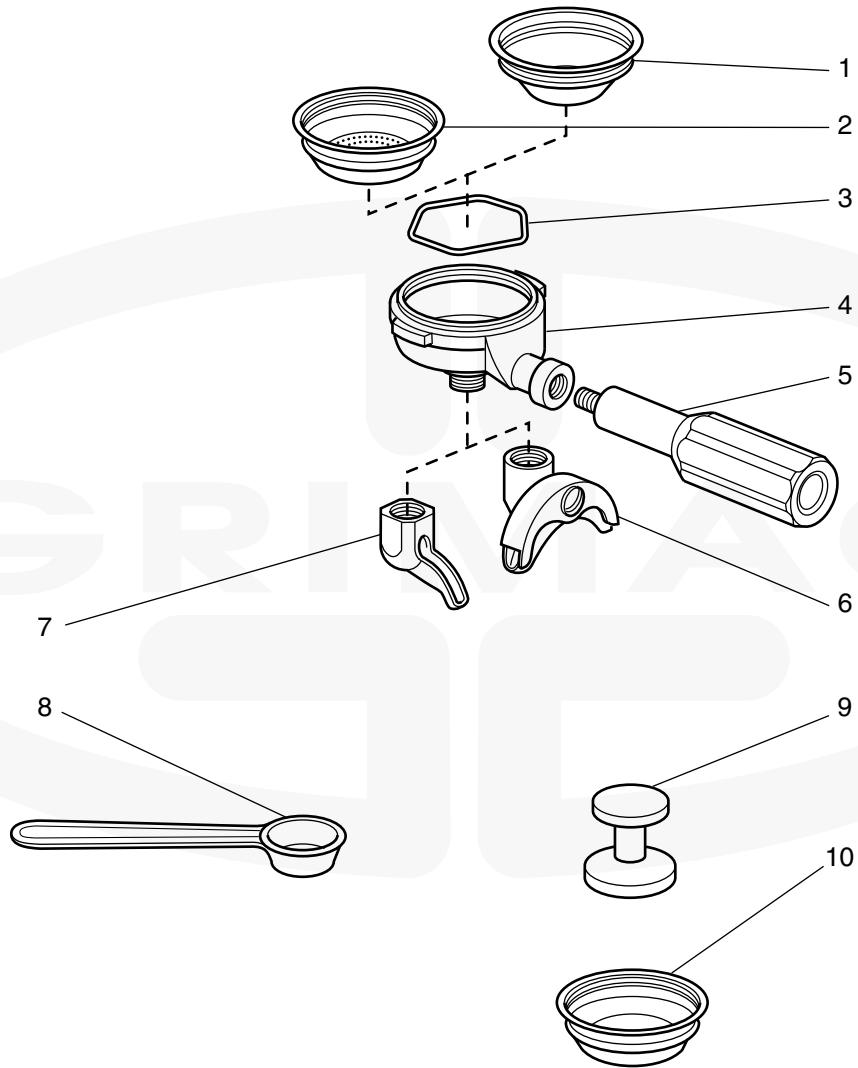
POS.	CODE	DESCRIPTION	PRICE (lire it.)
1	V514R	3/8 BOILER VALVE	
2	MG160	3/8 M-F-F UNION TEE	
3	MG120UL	PRESSURE SWITCH	
4	MG161	3/8 M - 1/4 F ADAPTER	
5	MG287	1/4 UNION ELBOW	
6	MG108	PRESSURE GAUGE-FITTING COPPER PIPE	
7	MG136	1/4-1/4 M NIPPLES	
8	F814	BOILER DEPRESSION 1/4" VALVE	
9	MG108/1	STEAM VALVE PIPE	
10	MG087B	MINI GRIMAC BOILER	
11	W902 MG086	1300W 230V HEATING ELEMENT 1300W 115V HEATING ELEMENT	
12	MG109	Ø 6 COPPER EXCHANGER PIPE	
13	GR224	COPPER PIPE	
14	MG154	1/4 M-M-M UNION TEE	
15	MG152	85 mm COPPER INJECTOR PIPE	
16	W591	1/2 LOWER UNION TEE	
17	MG110	LOWER COPPER WATER OUTLET PIPE	
18	MG137	1/8-1/8 M NIPPLES	
19	V190 MG006	230V WATER OUTLET SOLENOID VALVE 115V WATER OUTLET SOLENOID VALVE	
20	MG128	STEAM VALVE KNOB	
21	MG032/1	STEAM VALVE COMPLETE	
22	MG205	PRESSURE GAUGE-FASTENING CHECK NUT	
23	MG157	Ø 42 PRESSURE GAUGE	
24	MG068	1/8 M-F UNION TEE	
25	MG114	UPPER WATER OUTLET PIPE	
26	MG112	LONG EXCHANGER PIPE	
27	MG111	SHORT EXCHANGER PIPE	
28	W518	1/2 UPPER ELBOW PIPE FITTING	
29	V072	LONG TYPE LEVEL PROBE	
30	V072	SHORT TYPE LEVEL PROBE	
31	CA020T	TEFLON GASKET	



POS.	CODE	DESCRIPTION	PRICE (lire it.)
1	V514R	3/8 BOILER VALVE	
2	MG160	3/8 M-F-F UNION TEE	
3	MG161	3/8 M - 1/4 F ADAPTER	
4	MG139	1/4 M-M UNION ELBOW	
5	MG113	REGULATOR PIPE	
6	V070UL	PRESSURE SWITCH	
7	MG108	PRESSURE GAUGE-FITTING COPPER PIPE	
8	MG136	1/4-1/4 M NIPPLES	
9	F814	BOILER DEPRESSION 1/4" VALVE	
10	MG108/1	STEAM VALVE PIPE	
11	MG087B	MINI GRIMAC BOILER	
12	CA020T	TEFLON GASKET	
13	MG086	1300W 115V HEATING ELEMENT	
14	MG109	Ø 6 COPPER EXCHANGER PIPE	
15	GR224	COPPER PIPE	
16	MG154	1/4 M-M-M UNION TEE	
17	MG152	85 mm COPPER INJECTOR PIPE	
18	W591	1/2 LOWER UNION TEE	
19	MG110	LOWER COPPER WATER OUTLET PIPE	
20	MG137	1/8-1/8 M NIPPLES	
21	MG006	WATER OUTLET SOLENOID VALVE 115V	
22	MG128	STEAM VALVE KNOB	
23	MG032/1	STEAM VALVE COMPLETE	
24	MG205	PRESSURE GAUGE-FASTENING CHECK NUT	
25	MG157	Ø 42 PRESSURE GAUGE	
26	MG068	1/8 M-F UNION TEE	
27	MG114	UPPER WATER OUTLET PIPE	
28	MG112	LONG EXCHANGER PIPE	
29	MG111	SHORT EXCHANGER PIPE	
30	W518	1/2 UPPER ELBOW PIPE FITTING	
31	V072	SHORT TYPE LEVEL PROBE	
32	MG309	1/4 CAP	



POS.	CODE	DESCRIPTION	PRICE (lire it.)
	GR500C	COMPLETE SOLENOID VALVE GROUP	
1	GR713	GICLEUR CLOSING CAP	
2	GR714	GICLEUR FILTER	
3	GR715	Ø 8 D ELIVERY UNIT GICLEUR	
4	GR716	UNIT CAP TEFLON SEAL	
5	GR717	MUSHROOM GROUP	
6	GR718	MUSHROOM HEAD GASKET	
7	GR719	TEFLON MUSHROOM HEAD GASKET	
8	GR719	TEFLON MUSHROOM HEAD GASKET	
9	GR720	INFUSION DEVICE CAP	
10	GR721	FIXING GROUP GASKET	
11	Z119	DELIVERY UNIT	
12	GR722	GROUP SCREW	
13	GR723	COPPER GASKET	
14	V533	SOLENOID VALVE BODY	
15	GR724	230V COIL GROUP	
	GR772	3-WAY 230V SOLENOID VALVE ASSEMBLY ACCORDING UL	
	GR175	3-WAY 230V SOLENOID VALVE ASSEMBLY ACCORDING UL	
16	MG080	SOLENOID VALVE FIXING SCREW	
17	MG095	GUARD FOR SOLENOID VALVE COVER	
18	GR725	UNIT JET DIVIDER	
19	GR726	UNIT JET COVER	
20	GR053	LOWER RIGHT-HAND PIPE	
	GR054	LOWER LEFT-HAND PIPE	
	GR190	LOWER RIGHT-HAND PIPE ACCORDING UL	
	GR191	LOWER LEFT-HAND PIPE ACCORDING UL	
21	GR045	UPPER RIGHT-HAND PIPE ACCORDING UL	
	GR046	UPPER LEFT-HAND PIPE ACCORDING UL	
22	GR727	THROTTLING DEVICE	
23	GR762	UNIT DIFFUSER	
24	GR761	UNIT SPRAY HEAD	
25	GR763	RUBBER SEAL	
26	MG218	POD USE ADAPTER	



POS.	CODE	DESCRIPTION	PRICE (lire it.)
1	GR764	1-CUP FILTER WITH RIM	
2	GR765	2-CUPS FILTER WITH RIM	
3	GR766	STOP FILTER SPRING	
4	GR767	PORTAFILTER	
5	MG179	PORTAFILTER KNOB	
6	GR768	2-CUPS SPOUT	
7	GR769	1-CUP SPOUT	
8	V006/1 V006	PLASTIC DOSING SPOON STEEL DOSING SPOON	
9	V012	BAKELITE PRESSER	
10	GR770	SPRAY-WASH HEAD BLIND FILTER	