

# INDICE - INDEX - SOMMAIRE - VERZEICHNIS

# ACLD

**ACLD-01**

Caldaia - Boiler - Chaudière - Kessel      STANDARD

rev.

**02**  
05/2006

**ACLD-50**

Caldaia - Boiler - Chaudière - Kessel      U.S.A.

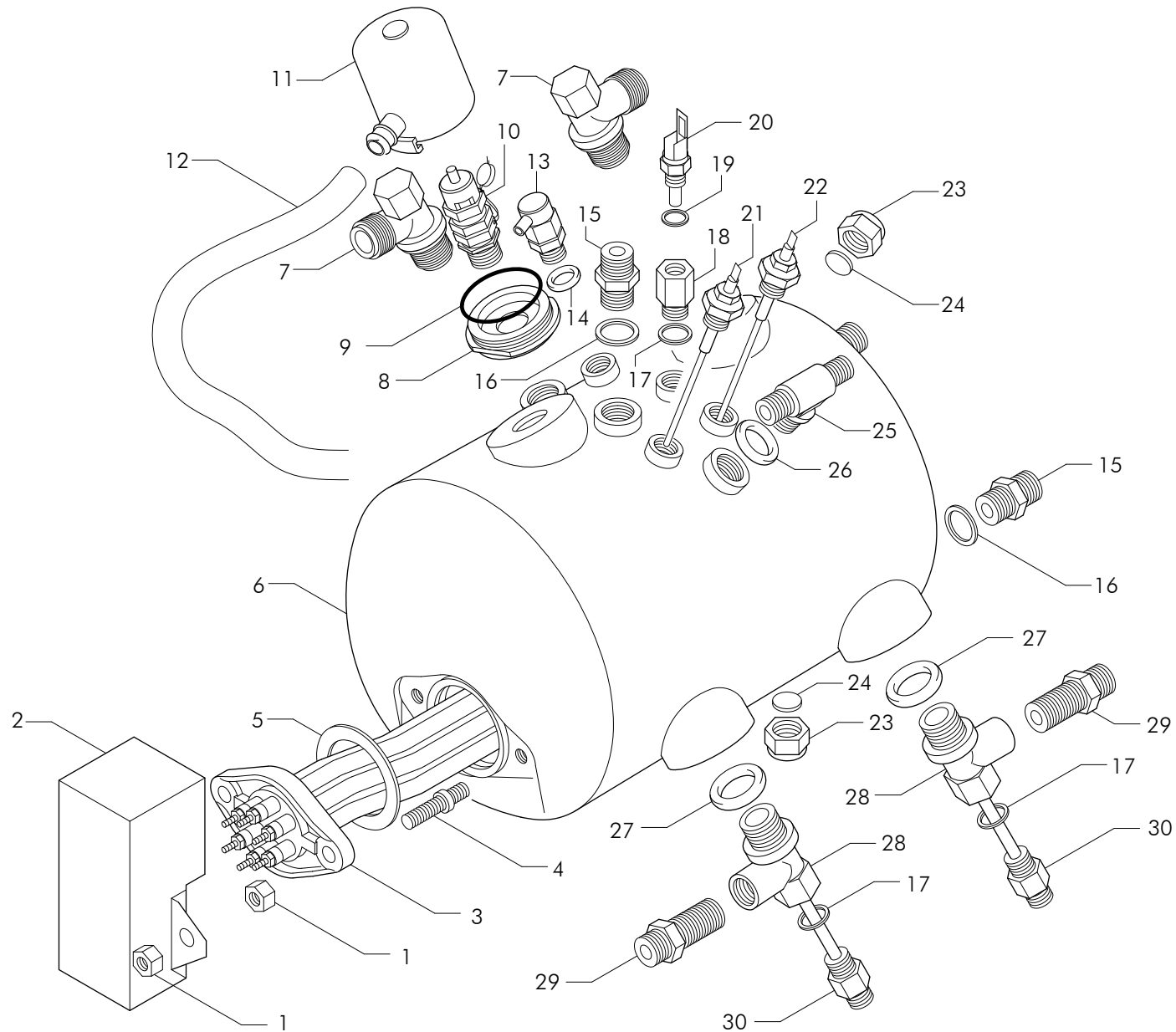
**02**  
05/2006

**CALDAIA  
SCAMBIATORE**

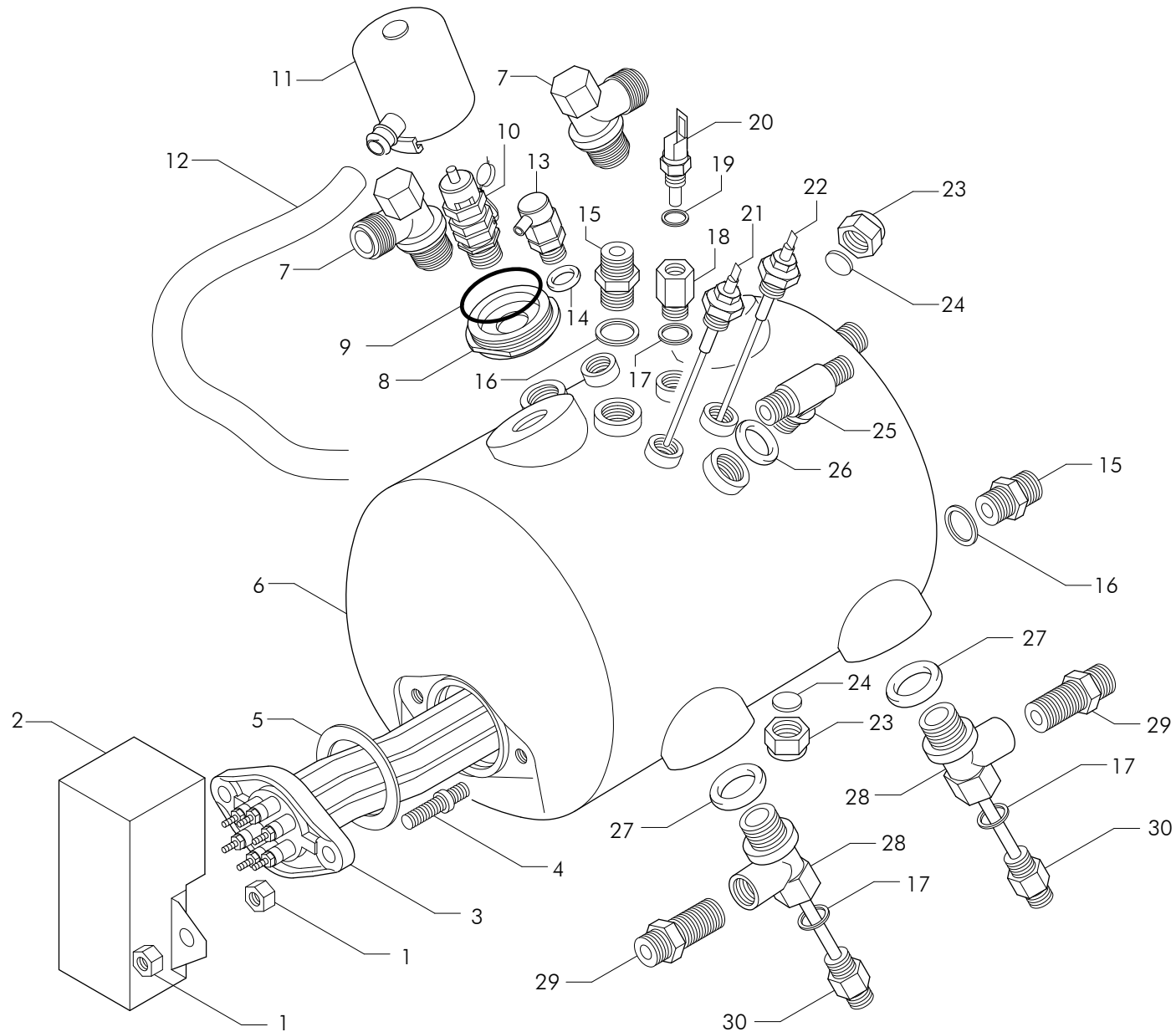
**BOILER  
EXCHANGER**

**CHAUDIÈRE  
ECHANGEUR**

**KESSEL  
AUSTAUSCHER**



Pos	Cod.	Denominazione - IT -	Denomination - GB -	Denomination - FR -	Denomination - DE -
1	23049	DADO OTTONE M8 UNI 5587	BRASS NUT M8 UNI 5587	ECROU LAITON M8 UNI 5587	MESSING-SCHRAUBENMUTTER M8 UNI 5587
2	77686034	PROTEZIONE RESISTENZA	HEATING ELEMENT GUARD	PROTECTEUR RESISTANCE	ABDECKUNG WIDERSTAND
3	17017	RESISTENZA 6P 230/400V 3400W AK/AKC	HEATING ELEMENT 230/400V 3400W AK/AKC	RESISTANCE 6P 230/400V 3400W AK/AKC	6POL.HEIZKORPER 230/400V 3400W AK/AKC
4	23132001	PRIGIONIERO INOX M8 FONDO	M8 STAINLESS STEEL BOTTOM STUD BOLT	PRISONNIER INOX M8 FOND	STIFTSCHRAUBE EDELSTAHL M8 BODEN
5	12001	GUARNIZIONE TEFLON VERGINE X RES/SCA	TEFLON GASKET ELEMENT/EXCH. 58X43X2	JOINT TEFLON RESIST/ECHANG. 58X43X2	TEFLON DICHTUNG 58X23X2
6	62099002	CALDAIA 2GR 7 LITRI	2GR 7-LITRE BOILER	CHAUDIERE 2GR 7 LITRES	KESSEL 2 EINHEITEN 7 LITER
7	56131	ASS. RACCORDO 23214 + GU CU 12105	UNIT FITTING 23214 + GASKET CU 12105	ENSEMBLE RACCORD 23214 + JOINT CU 12105	ANSCHLUSS 23214 + CU DICHTUNG 12105
8	15006001	FLANGIA GRIGOLY VALVOLA SIC.	FLANGE GRIVORY VALVE	JOINT GRIVORY VANNE	FLANSCH GRIVORY VENTIL
9	12300000	GUARNIZIONE OR 3156 HNBR X PISTONI	O RING	JOINT OR	OR DICHTUNG
10	20352	VALVOLA DI SICUREZZA *CE*	*CE* SAFETY VALVE	SOUPAPE DE SECURITE *CE*	SICHERHEITSVENTIL *CE*
11	56009980	ASSIEME PROTEZIONE VALVOLE SICUREZZA	UNIT PROTECTION VALVE	ENSEMBLE PROTECTION VANNE	SATZ-SCHUTZGITTER VENTIL
12	15478002	TUBO SILICONE 8X11 L.70CM	SILICONE TUBE 8X11 L.70CM	TUYAU SILICONE 8X11 L.70CM	SILIKONROHR 8X11 L.70CM
13	56155000	VALVOLA V.A.R. VAPORE '03	V.A.R. STEAM VALVE	VANNE V.A.R. VAPEUR	DAMPFDOSIERERVENTIL
14	12100	GUARNIZIONE CU/ALIM 1/4 18.7X13.2X2.5	CU GASKET 1/4 18.7X13.2X2.5	JOINT CU 1/4 18.7X13.2X2.5	CU DICHTUNG 1/4 18.7X13.2X2.5
15	25687	RACCORDO 3/8X3/8 GAS	3/8X3/8 GAS FITTING	RACCORD 3/8X3/8 GAZ	ANSCHLUSS 3/8X3/8 GAS
16	12154	GUARNIZIONE CU 3/8 22X17X1.5	3/8 22X17X1.5 COPPER SEAL	JOINT CUIVRE 3/8 22X17X1.5	KUPFERDICHTUNG 3/8 22X17X1.5
17	12153	GUARNIZIONE CU 1/4 17X13.3X1.5	1/4 17X13.3X1.5 COPPER SEAL	JOINT CUIVRE 1/4 17X13.3X1.5	KUPFERDICHTUNG 1/4 17X13.3X1.5
18	25733	RACCORDO OT 1/8F X 1/4M	BRASS FITTING 1/8F X 1/4M	RACCORD LAITON 1/8F X 1/4M	MESSING-ANSCHLUSS 1/8F X 1/4M
19	12151	GUARNIZIONE CU DOSATORE 13X10.2X1.5	CU GASKET FOR SAE DOSER 13X10.2X1.5	JOINT CU DE DOSEUR SAE 13X10.2X1.5	CU DICHTUNG FÜR SAE DOSIERANLAGE
20	20306	TERMOSTATO SONDA NTC ES 13	THERMOSTAT NTC ES 13	THERMOSTAT NTC ES 13	TERMOSTAT NTC ES 13
21	20258	SONDA LIVELLO TL 10/B TFL L150 900024	LEVEL PROBE TL 10/B TFL L150 900024	SONDE NIVEAU TL 10B TFL L150 900024	NIVEAUSONDE TL 10B TFL L150 900024
22	20251	SONDA LIVELLO TL 10/B L125 908600	TL 10/B L125 900000 LEVEL PROBE	JAUGE TL 10/B L125 900000	PEGELFÜHLER TL 10/B L125 900000
23	25781	TAPPO FEMMINA 3/8	FEMALE CAP 3/8	BOUCHON FEMELLE 3/8	STOPFEN 3/8
24	12402	GUARNIZIONE PASTICCA KLINGERSIL4400	GASKET KLINGERSIL4400 15X3	JOINT KLINGERSIL4400 15X3	DICHTUNG KLINGERSIL4400 15X3
25	43033	RACCORDO "T" 3/8X3/8X1/4	3/8X3/8X1/4 T FITTING	RACCORD "T" 3/8X3/8X1/4	ANSCHLUSS 3/8X3/8X1/4 T
26	12101	GUARNIZIONE CU/ALIM 3/8 22X17X3	3/8 22X17X3 FEEDER/COPPER SEAL	JOINT CUIVRE/ALIM 3/8 22X17X3	KUPFERDICHTUNG/SPEIS. 3/8 22X17X3
27	12105	GUARNIZIONE CU/ALIM 1/2 GAS	CU GASKET 1/2 GAS	JOINT CU 1/2 GAZ	CU DICHTUNG 1/2 GAS
28	23215001	RACCORDO 1/2 T	1/2 TEE UNION	RACCORD 1/2 T	ANSCHLUSS 1/2 T
29	25681002	RACCORDO CANNA H2O/VAP E22	E22 H2O/STEAM TUBE FITTING	RACCORD CONDUIT H2O/VAP E22	SCHLAUCHANSCHLUSS H2O/DAMPF E22
30	52002788	TBS-D-6 L.85 1-4GR W 67 INIETTORE	DRAIN TUBE D6 L85 1-4GR	TUYAU A VIDANGER D6 L85 1-4GR	ROHR D-6 L.85



Pos	Cod.	Denominazione - IT -	Denomination - GB -	Denomination - FR -	Denomination - DE -
1	23049	DADO OTTONE M8 UNI 5587	BRASS NUT M8 UNI 5587	ECROU LAITON M8 UNI 5587	MESSING-SCHRAUBENMUTTER M8 UNI 5587
2	77686034	PROTEZIONE RESISTENZA	HEATING ELEMENT GUARD	PROTECTEUR RESISTANCE	ABDECKUNG WIDERSTAND
3	4517017	RESISTENZA 230/400V 3400W 6P NI	HEATING ELEMENT 230/400V 3400W NI	RESISTANCE 230/400V 3400W NI	HEIZKORPER 230/400V 3400W NI
4	23132001	PRIGIONIERO INOX M8 FONDO	M8 STAINLESS STEEL BOTTOM STUD BOLT	PRISONNIER INOX M8 FOND	STIFTSCHRAUBE EDELSTAHL M8 BODEN
5	12001	GUARNIZIONE TEFLON VERGINE X RES/SCA	TEFLON GASKET ELEMENT/EXCH. 58X43X2	JOINT TEFLON RESIST/ECHANG. 58X43X2	TEFLON DICHTUNG 58X23X2
6	45622301	CALDAIA 2GR 7L NI	BOILER 2GR 7L NI	CHAUDIÈRE 2GR 7L NI	KESSEL 2GR 7L NI
7	4556131	ASS.RACCORDO 4523214 + GUARNIZIONE CU	UNIT FITTING 4523214 + GASKET CU 12105	ENSEMBLE RACCORD 4523214 + JOINT CU	ANSCHLUSS 4523214 + CU DICHTUNG 12105
8	15006001	FLANGIA GRIGOLY VALVOLA SIC.	FLANGE GRIVORY VALVE	JOINT GRIVORY VANNE	FLANSCH GRIVORY VENTIL
9	12300000	GUARNIZIONE OR 3156 HNBR X PISTONI	O RING	JOINT OR	OR DICHTUNG
10	20352001	VALVOLA DI SICUREZZA SIG.NI ETL	SIG.SAFETY VALVE NI ETL	VANNE DE SECURITE JOINT NI ETL	SICHERHEITSVENTIL SIG.NI ETL
11	56009980	ASSIEME PROTEZIONE VALVOLE SICUREZZA	UNIT PROTECTION VALVE	ENSEMBLE PROTECTION VANNE	SATZ-SCHUTZGITTER VENTIL
12	15478002	TUBO SILICONE 8X11 L.70CM	SILICONE TUBE 8X11 L.70CM	TUYAU SILICONE 8X11 L.70CM	SILIKONROHR 8X11 L.70CM
13	4556155	VALVOLA V.A.R. VAPORE NI	V.A.R STEAM VALVE NI	VANNE V.A.R. VAPEUR NI	DAMPFDOSIERERVENTIL NI
14	12100	GUARNIZIONE CU/ALIM 1/4 18.7X13.2X2.5	CU GASKET 1/4 18.7X13.2X2.5	JOINT CU 1/4 18.7X13.2X2.5	CU DICHTUNG 1/4 18.7X13.2X2.5
15	4525687	RACCORDO 3/8X3/8 GAS NI	3/8 X 3/8 GAS FITTING NI ETL	RACCORD 3/8 X 3/8 GAS NI ETL	ANSCHLUSS 3/8 X 3/8 GAS NI ETL
16	12154	GUARNIZIONE CU 3/8 22X17X1.5	3/8 22X17X1.5 COPPER SEAL	JOINT CUIVRE 3/8 22X17X1.5	KUPFERDICHTUNG 3/8 22X17X1.5
17	12153	GUARNIZIONE CU 1/4 17X13.3X1.5	1/4 17X13.3X1.5 COPPER SEAL	JOINT CUIVRE 1/4 17X13.3X1.5	KUPFERDICHTUNG 1/4 17X13.3X1.5
18	4525733	RACCORDO OTTONE 1/8FX1/4M NI	BRASS FITTING 1/8 X 1/4 NI ETL	RACCORD LAITON 1/8 X 1/4 NI ETL	MESSING FITTING 1/8X1/4 NI ETL
19	12151	GUARNIZIONE CU DOSATORE 13X10.2X1.5	CU GASKET FOR SAE DOSER 13X10.2X1.5	JOINT CU DE DOSEUR SAE 13X10.2X1.5	CU DICHTUNG FÜR SAE DOSIERANLAGE
20	20306	TERMOSTATO SONDA NTC ES 13	THERMOSTAT NTC ES 13	THERMOSTAT NTC ES 13	TERMOSTAT NTC ES 13
21	20258	SONDA LIVELLO TL 10/B TFL L150 900024	LEVEL PROBE TL 10/B TFL L150 900024	SONDE NIVEAU TL 10B TFL L150 900024	NIVEAUSONDE TL 10B TFL L150 900024
22	20251	SONDA LIVELLO TL 10/B L125 908600	TL 10/B L125 900000 LEVEL PROBE	JAUGE TL 10/B L125 900000	PEGELFÜHLER TL 10/B L125 900000
23	25781	TAPPO FEMMINA 3/8	FEMALE CAP 3/8	BOUCHON FEMELLE 3/8	STOPFEN 3/8
24	12402	GUARNIZIONE PASTICCA KLINGERSIL4400	GASKET KLINGERSIL4400 15X3	JOINT KLINGERSIL4400 15X3	DICHTUNG KLINGERSIL4400 15X3
25	4543033	RACCORDO "T" 3/8X3/8X1/4 NI	3/8 X 3/8 T FITTING NI ETL	RACCORD 3/8 X 3/8 T NI ETL	ANSCHLUSS 3/8 X 3/8 T NI ETL
26	12101	GUARNIZIONE CU/ALIM 3/8 22X17X3	3/8 22X17X3 FEEDER/COPPER SEAL	JOINT CUIVRE/ALIM 3/8 22X17X3	KUPFERDICHTUNG/SPEIS. 3/8 22X17X3
27	12105	GUARNIZIONE CU/ALIM 1/2 GAS	CU GASKET 1/2 GAS	JOINT CU 1/2 GAZ	CU DICHTUNG 1/2 GAS
28	45239996	RACCORDO 1/2 T NI	FITTING 1/2 T NI	RACCORD 1/2 T NI	FITTING 1/2 T NI
29	25681001	RACCORDO CANNA H2O/VAP E22 NIKEL+CROMO	WATER/STEAM FITTING NI+CR	RACCORD EAU/VAPEUR NI/CR	WASSER/DAMPF FITTING NI+CR
30	52902788	TUBO D-6 L.85 W67 NI	TUBE D-6 L.85 W67 NI	TUYAU D-6 L.85 W67 NI	ROHR D-6 L.85 W67 NI