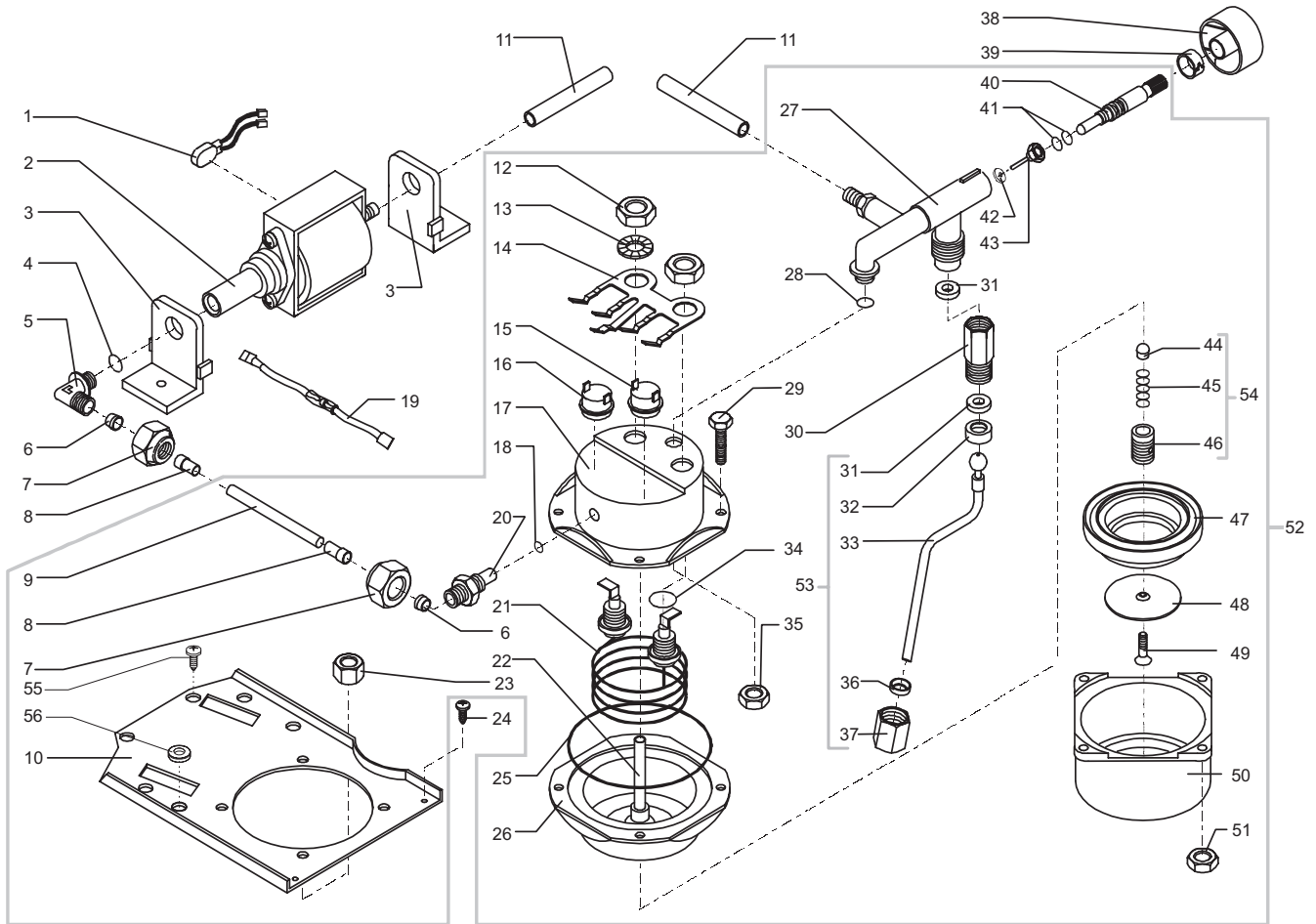


STARBUCKS BARISTA ZIA SIN 010



Cod. 7 1 84 10

POS	CODE	DESCRIPTION	NOTE	POS	CODE	DESCRIPTION	NOTE
01	146680150	Black measure for coffee					
02	229650550	Drip tray + red float + black grid					
03	177756200	Cart.Ups Low/up guard					
04	175892500	Cart. insert for plus ejec. access.					
05	222691600	Transp.green water t. w/c. 1.800					
06	178557800	Strabucks lithogr.box					
07	142807272	Body cover V0 UL 94 talbot grey					
08	226473962	Body V0 UL94 talbot grey					
09	140324362	Gasket for piston					
10	142841150	Valve black cov. D=19.5					
11	145841350	Lip seal					
12	183920150	Black USA/UL feed cable L=MM1600					
13	126764718	Spring for piston					
14	147660562	Piston					
15	186800400	Three-way terminal board PA27/3					
16	148600600	Cable holder Vo					
17	129516803	TCB screw 3.5 x 19 DIN 7981	Nick.				
18	125893521	Steel insert for base loading					
19	165931800	Strabucks instruction book					
20	144701172	Body bottom V0 UL 94 painted Opital					
21	147621050	Black foot H=12.5					
22	124652821	Pod filter F. D=31 mm H=20,2 mm + Gro					
23	145849762	Gasket H=11.0 for filter holder					
24	224882052	Starbucks black front part					
25	186014950	Main switch UL/CSA B23WD 1EX00006					
26	145740450	Black grid					
27	145500211	Red float					
28	149642550	Black tank for recovering water					
29	226551850	Black br. mech. press. filter-holder					
30	186015050	Coffee switch UL/CSA B23FD1110005					
31	148000550	Scraper for gasket cleaning					
32	148341063	Lower washer					



STARBUCKS BARISTA ZIA SIN 010



Cod. 7 1 84 10

POS	CODE	DESCRIPTION	NOTE
01	289200200	Thermal protection 2MM, T100-88 UL	
02	187720955	Ulka Pump EX 5 120 Volts	
03	149181550	Ulka Pump Support	
04	140321961	OR 2031 EPDM	
05	127913620	90° Union 1/8" Gas cil. 15.8 x 17MM (Ulka)	
06	121800420	Ogive bush 6 (OD=8.4 ID=6.2 L=7)	
07	123460120	Br. nut 1/8" Gas x ogive bush 8	
08	121840120	Bush for pipe inside (OD4xID3x10)	
09	229401100	Teflon pipe 4 x 6 L=90 MM	
10	127530907	Tropical. Plate assembly	
11	149360200	Silicone pipe 5 x 8 70SR in skein	
12	123452000	Nut M12 x 12.5 H= 4.5	
13	128311204	Washer UNI 8842 A12 Burnished	
14	126833921	Spring retaining 2 thermost. + ground	
15	189422000	95° Thermostat 1T-01L-0036	
16	189425100	127° Thermostat 1NT-01L-0499	
17	122902121	St.st.up boiler body with hole M8	
18	140320762	OR 108 Silicone	
19	183401062	Silicone 1-wire cable AVG 18 152°	
20	127960920	Br. straight union for stainless steel boiler	
21	188150351	Resistance 120V-900W for st.st. boiler	
22	129311220	Brass inner pipe for stainless steel boiler	
23	123160502	High Nut M5 UNI 5587-68 Zinc-plated	
24	129519003	TCB screw 4.8 x 9.5 DIN 7981 Nick.	
25	140322962	OR 176 Silicone	
26	222890600	Steel lower body w/brass hub	
27	228455500	Tap Ø 12 with st.st. boiler safety valve	
28	140323062	OR 2043 Silicone	
29	129680802	TE Screw M5 x 20 built-in washer Znp	
30	123591520	Br. spacer for articul. steam pipe	
31	145840365	Washer for articulated steam pipe	
32	148620100	Seal upper half-ball	
33	129372208	Chrom.plat. steam pipe (w/ball-sprayer)	
34	140322262	OR 2050 Silicone	
35	123390520	Nut 1/8" Gas H=6 CH=14 Brass	
36	148620200	Seal lower half-ball	
37	123450308	Ch. check nut H=21 steam pipe w/3 balls	

POS	CODE	DESCRIPTION	NOTE
38	147712250	Black knob	
39	120460100	Quick connection for rod knob	
40	120642620	Tap seal br. rod L=52 with piston	Up to S.N. 12201
	120644420	Tap seal br. rod L=50 with piston	From S.N.12202
41	140321861	OR 2025 EPDM	
42	145842664	Teflon washer D=6 for piston	
43	128870420	Brass piston without groove L=21	
44	149450588	Silicone valve for boiler seal	
45	126761518	Spring for boiler seal valve	
46	129960820	Valve-holder screw for Jacobs st.st. boiler	
47	145841500	Filter-holder washer	
48	123741421	Gutter OD 48.8 for Jacobs st.st. boiler	
49	129854021	TSP screw M4 x 8 UNI 7688 Inox	
50	220290300	Polished filter-holder locking ring	
51	123300102	Thin Nut M5 UNI 5590-65 Zinc-plated	
52	282110855	120 V st. st. boiler central assy	
53	229371700	Steam tube assy with nut and seals	
54	226471200	Kit brew valve	
55	129931802	Vite Ecosin 5 x 16 ISO 7049	
56	148341163	Upper washer	